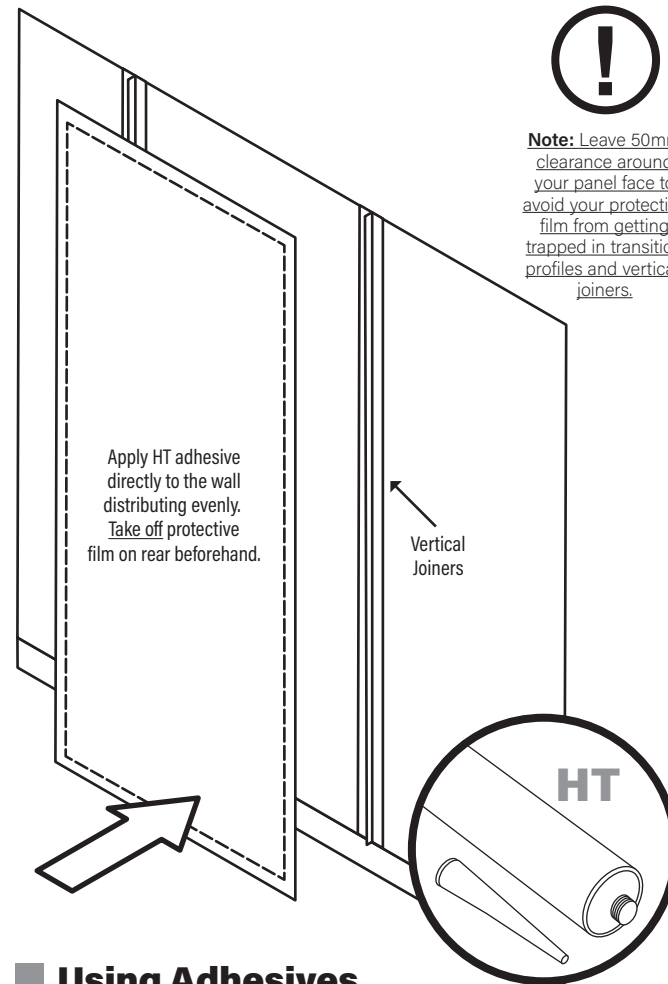
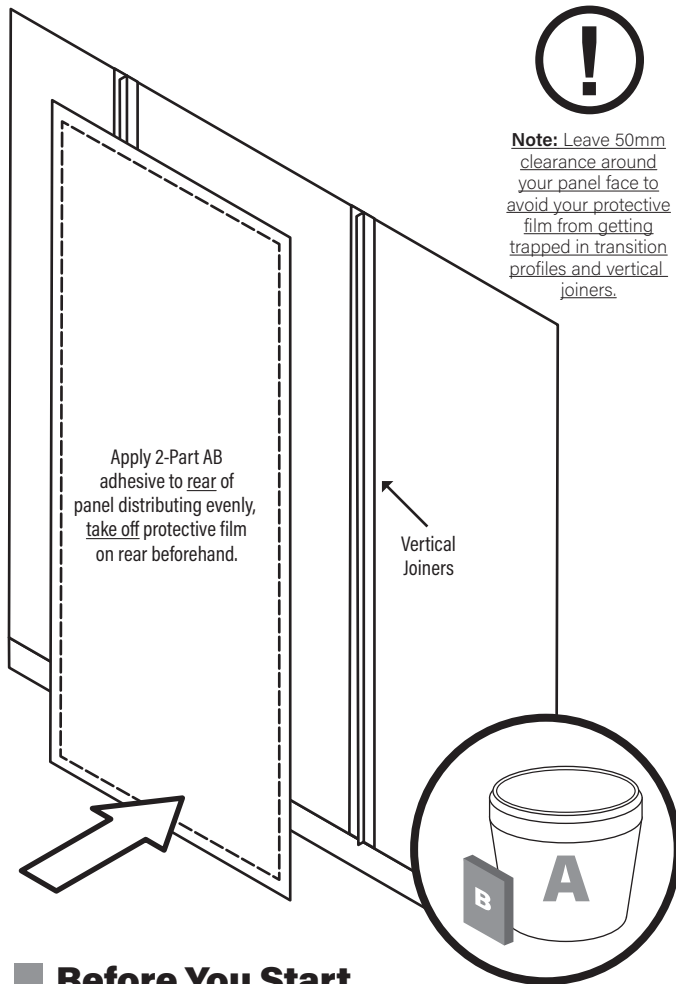


Premium Wall Cladding | Installation Guide

Including preparation, installation and after-care

Offering the complete hygienic cladding system that is strong, durable and long lasting even in the most extreme environments. Our wall cladding system can be used in hygienic and wet room environments. Offering a comprehensive range of high quality sheets, adhesives and profiles in the Satin range (pastel colours).



Before You Start

Carefully plan out your wall areas beforehand on paper working out how many sheets, profiles, joiners & adhesives you'll need. Carefully transfer your measurements (in pencil) to your wall rechecking your measurements and levels. Use a weak PVA solution and brush on all exposed walls to prepare for bonding 24hrs before. Find a clean area and a large flat surface to prepare your panels in advance.

Using Adhesives

With your 2-Part A+B adhesive pre-mixed distribute gently on to the filmless rear of the measured panel. Wait for specified curing time and with assistance gently position. With HT adhesive distribute on your wall area. Wait for specified curing time and with assistance gently position pre-cut panels. Smooth out in all directions. Leave the protective films on all front panels until the project is complete.

Satin Wall Cladding

Our satin range offers a calming palette of pastel colours for environments, helping to keep areas clean, fresh and bright with subtle tones and an easy clean surface.

Fire rated with the additional benefit of being food approved for hygienic hard-wearing environments. Key temperature ranges of (+60 to -0°C) make this cladding formidably robust but easy to cut, glue and seal.

Features

- Fire rated to self-extinguishing.
- High chemical resistance.
- Cost effective and easy to install.
- Complete hygienic wall protection.
- Food contact approved.

Sheet Sizes (mm)

- 2500 x 1220mm (8 x 4ft).
- 3050 x 1220mm (10 x 4ft).

Thicknesses (mm)

- 2.5mm.

Profiles (mm)

- 2900mm (long).

Environments

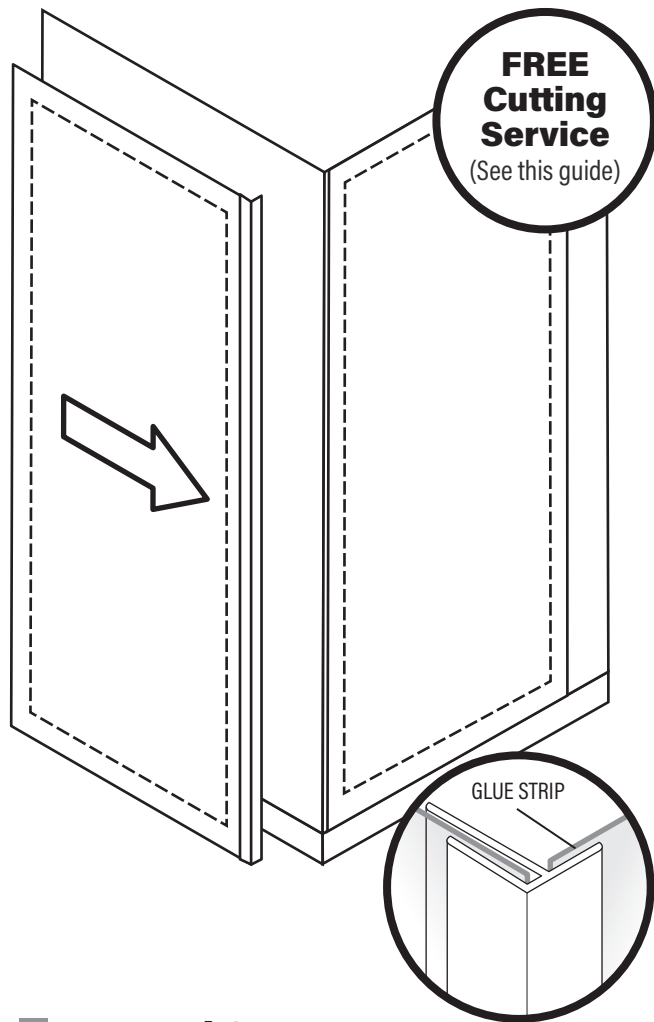
Our satin uPVC wall cladding is suitable for hygienic applications such as: Kitchens, Bathrooms, Gymnasiums, Dental Practices & Hospitals. All hygienic and hard-wearing applications.

To compliment your satin wall cladding project don't forget your colour-co-ordinated range of premium profile joining strips including internal and external corners for a seamless, professional finish.

Our range of long-lasting adhesives and silicones provide everything you need to complete your project. Easy to apply, water-resistant products with operating temperature ranges of (+60 to -0°C) giving additional peace of mind in any damp, warm or cold environment.

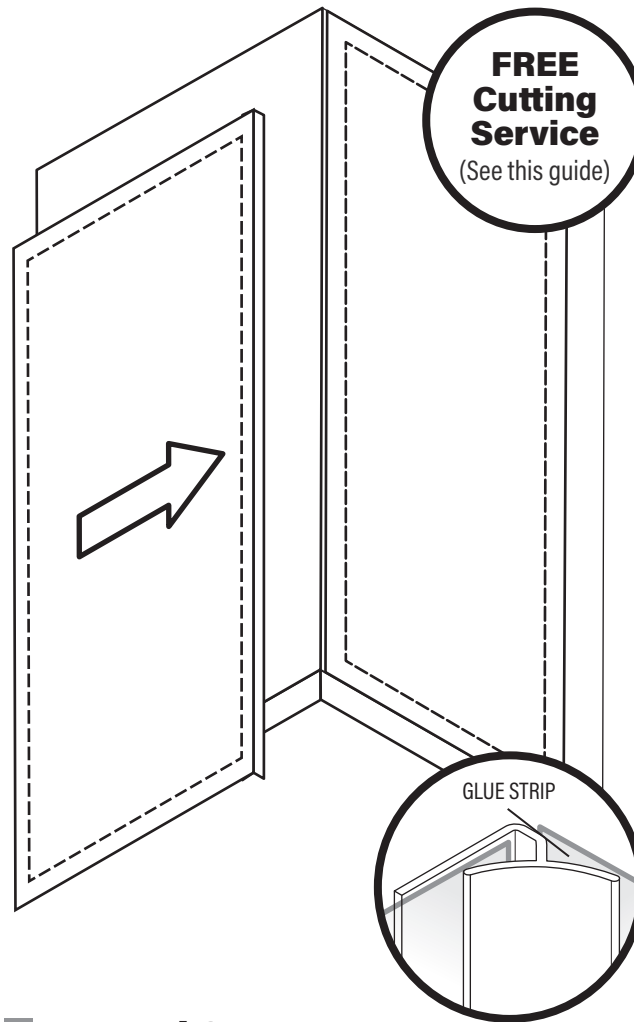
Visit us online at www.theplasticpeople.co.uk





External Corner

When tackling an external corner its advised to have the first panel already in situ and the second panel with your external corner already applied into position on the edge thats going to marry up with your other panel. Its sometimes a good idea to get help when ready to position panels as they can be large and awkward to manoeuvre, an extra pair of hands is always useful and much safer. Run a line of adhesive on the overlap edge to help secure and cement the external corner into final position. Gently rub and tap down when happy with positioning. Only remove the protective film once your project is complete.



Internal Corner

When tackling an internal corner its advised to have the first panel already in situ and the second panel with your external corner already applied into position on the edge thats going to marry up with your other panel. Its sometimes a good idea to get help when ready to position panels as they can be large and awkward to manoeuvre, an extra pair of hands is always useful and much safer. Run a line of adhesive on the overlap edge to help secure and cement the external corner into final position. Gently rub and tap down when happy with positioning. Leave the protective film on until the project is complete.

Surface Preparation

- All surfaces must be clean, dry and free from all contamination.
- All electrical switches, power points etc, should be in a first fix state where possible.
- All electrical equipment should only be moved or altered by a qualified electrician.
- All pipes, bolts, etc. that are fixed through the sheet should have a minimum of 3mm expansion gaps and be sealed with the suitable silicone.

Suitable Substrates

- Most flat, clean and secure surfaces are suitable. An adhesive test is recommended prior to installation.
- Painted surfaces are suitable. An adhesive test is recommended prior to installation.
- All plastered surfaces must be free from dust.

Installation Temperatures

Our hygienic wall cladding sheets are recommended to be installed at approximately the same room temperature at which the area will be used when commissioned, this prevents warping of the product.

- A minimum temperature of 14°C is recommended for all installation areas.
- Sheets must be stored flat in the room for approximately 24 hours prior to the installation.

Recommended Tools & Equipment

The below list of tools and equipment will allow for a more efficient installation process:

- Spirit level.
- Tape measure.
- Stanley knife.
- Hammer.
- Rubber mallet.
- Chalk line.
- Jigsaw.
- Hacksaw.
- Tenon saw.
- Files (round & square).
- Hole cutting drill bit.

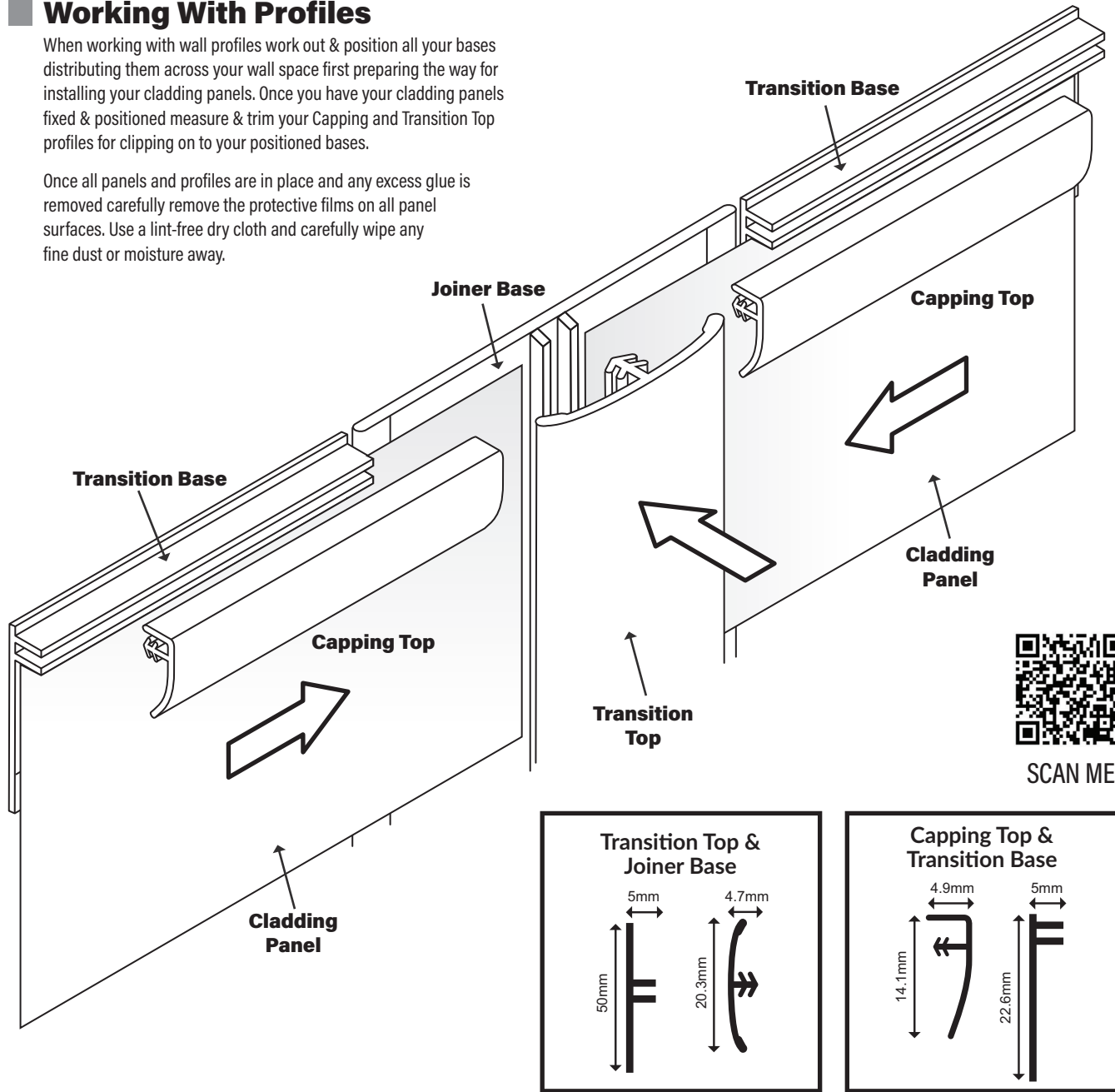
Recommended Safety Equipment

- Goggles/safety glasses.
- Protective gloves.
- Face mask (nose/mouth protection).

Working With Profiles

When working with wall profiles work out & position all your bases distributing them across your wall space first preparing the way for installing your cladding panels. Once you have your cladding panels fixed & positioned measure & trim your Capping and Transition Top profiles for clipping on to your positioned bases.

Once all panels and profiles are in place and any excess glue is removed carefully remove the protective films on all panel surfaces. Use a lint-free dry cloth and carefully wipe any fine dust or moisture away.



Safety Information

- The safety information on adhesive packaging/technical data must be strictly adhered to.
- Safety eye wear must be worn to avoid injury.
- A working area must be clearly signposted for the health and safety of others.
- Ventilation within the work area is essential.
- Dispose of all waste sensibly and carefully.
- Keep the working area clean and tidy.

Workstation Preparation

- A workstation in close proximity to the installation area will be beneficial.
- A separate glue-station is advised, this keeps the installation method clean and efficient.
- It is essential to protect the overall area around the work and glue-stations. If an adhesive spillage occurs, the adhesive must be cleaned up immediately, if allowed to set removal can be extremely difficult.

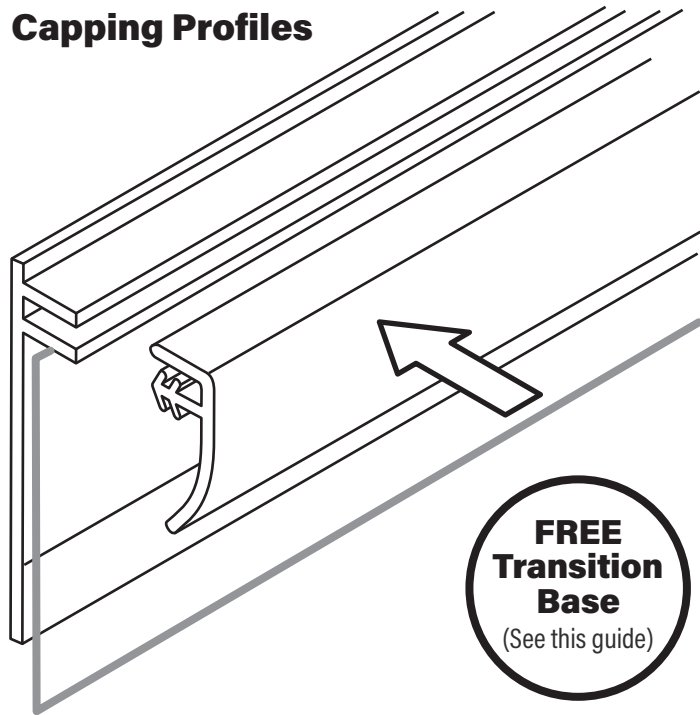
Room Preparation

- Prior to installation, ensure all corners, doors and windows are free from contamination. This is essential as this process
- prevents installation issues that could be easily avoided.
- Once room preparation is complete, a datum line must be installed with a laser level for optimum accuracy. The datum line height (from sub-floor) should be calculated to allow for the appropriate skirting height.
- Once all of the calculations have been formed, you will need to visualise & plan the installation layout. This minimises the number of profiles used in the system and makes the overall installation method more efficient.

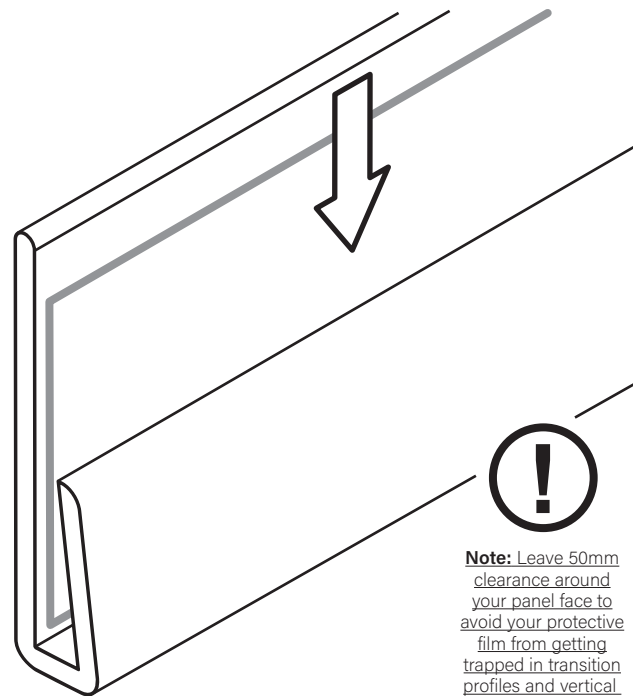
Planning Layout

- This preparation helps minimise the number of profiles used in the system.
- Planning the layout evades the possibility of misalignment between the profile and the subsequent sheet.
- Before installing the sheets, plan out where the profiles will fall in the cladding operation.
- Ensure you have all of the correct profiles, equipment and adhesives prior to installation.

Capping Profiles



Capping Top & Transition Base (Ceiling)



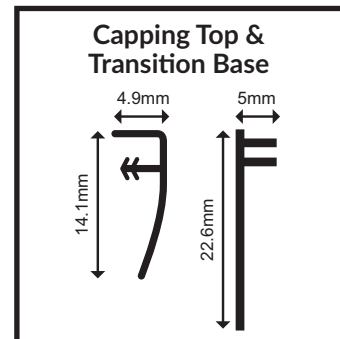
1-Part Capping (Floor)

Note: Leave 50mm clearance around your panel face to avoid your protective film from getting trapped in transition profiles and vertical joiners.

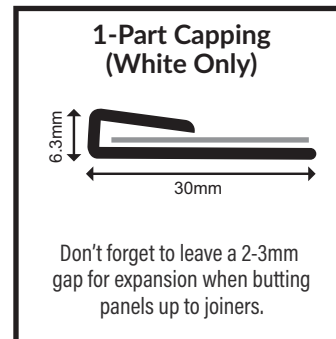
Ceiling & Floor Profiles

Ceiling and floor profiles really complete a project. Profiles are used to create a watertight seal between the cladding sheets horizontally from the ceiling to the floor. When adding ceiling or floor profiles across your wall space ensure your walls are level and make allowance for your vertical joiners at your specified intervals across your wall space.

Carefully work this out beforehand on paper until you're happy and transfer your measurements (in pencil) to your wall rechecking your measurements. Each ceiling and floor profile length is 2900mm in length and easily trimmed with a fine toothed saw blade or sharp craft or Stanley knife. Use a flat surface and try to find a dedicated area to prepare your panels and profile elements in advance.



Ceiling and floor profiles are optional, not compulsory but ensure you factor these elements into your project with your vertical joiners etc. They are practical and can be aesthetically pleasing too depending on the chosen environments.



Sheet Preparation

- Carefully place the sheet onto the workbench, examine for damage prior to preparing the measurements. Once you are content with the quality of the sheet, on the protective film side, carefully mark the datum line using a pen. Be careful when marking the datum line, as too much force can cause damage to the surface of the sheet.
- Using the recommended safety equipment and tools, cut the sheet to size. Then remove the protective film approximately 50mm from the edge. The undercovered edges will allow space for the sheet to be fitted into the profiles. Make sure you do not fully remove the protective film until the installation process is fully complete.
- Test the sheet by holding it up against the substrate, ensuring you have 3mm expansion gap at all supports. This will allow you to check if the measurements were correct and that all components fit correctly.
- Once the sheet has been tested, carefully place the sheet, protective film down, onto the workbench.
- Clean off any contamination from the substrate i.e dust.

Adhesive Recommendations: Premierbond 2pt adhesive is recommended for all installations in wet areas such as bathrooms, kitchens and gymnasiums.

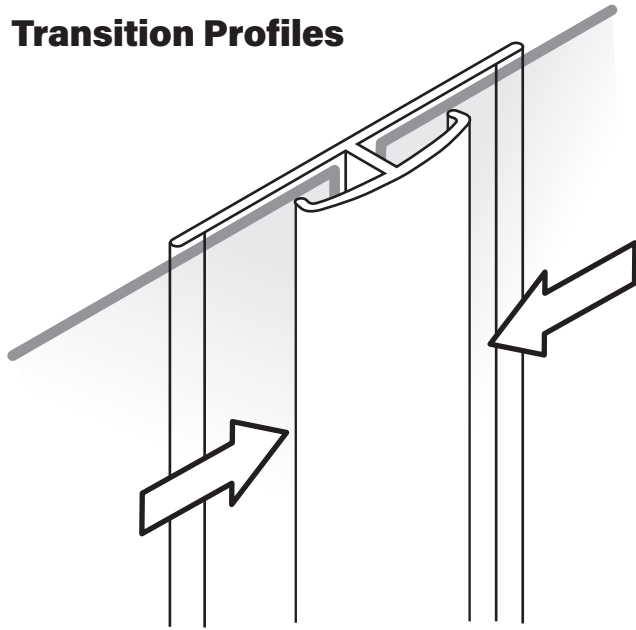
- Adhere to the adhesive packaging for directions of use.
- Apply the adhesive to the back of the sheet, using a 6mm notched trowel, smoothing outwards from the centre.
- Flat plastered walls can have 3mm thickness of adhesive.
- The working time of the adhesive is approximately 40 minutes with the initial cure being 20 minutes.
- Prepare the following sheets in the above process.

Product Expansion

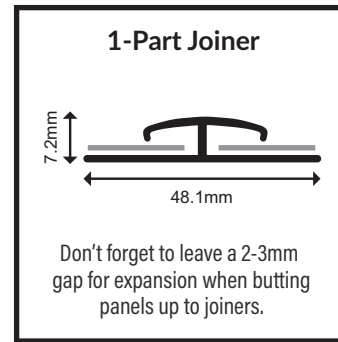
Our hygienic wall cladding should be installed within 3mm of inflexible supports such as door frames, ceilings and skirting. The 3mm gap will allow for expansion and contraction of the material. During installation, if measurements are inaccurate, the sheet may not be adjacent to the ceiling or corner line, this will create exposed edges.

Accordingly, if there are any exposed edges of the sheet, we offer a comprehensive range of colour matched silicones. This range can be used to seal any exposed edges, creating a professional finish.

Transition Profiles

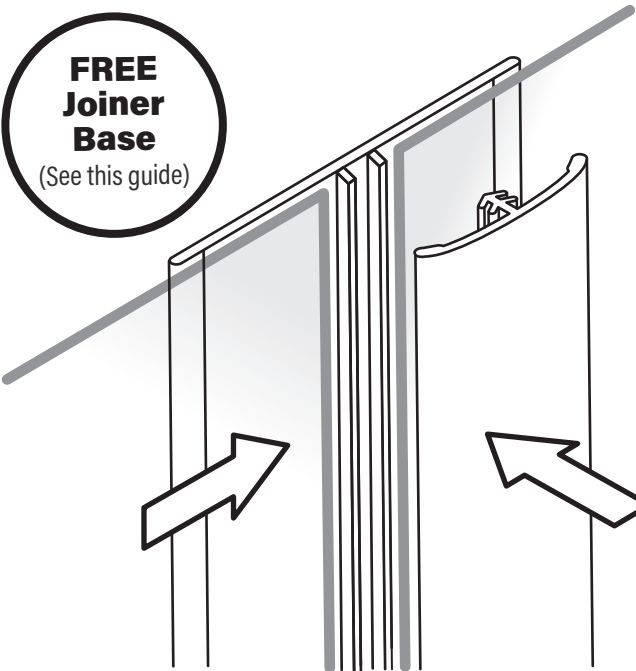


Note: Leave 50mm clearance around your panel face to avoid your protective film from getting trapped in transition profiles and vertical joiners.

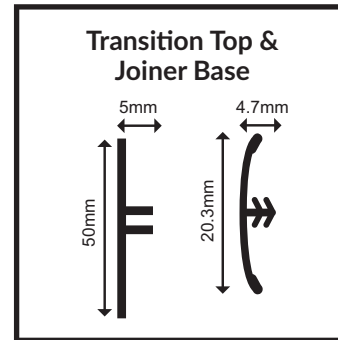


1-Part Joiners

Joiner profiles are used to create a watertight seal between the cladding sheets vertically from the ceiling to the floor. When distributing your joiners across your wall space make allowance butting up your sheets either side of the joiners allowing for expansion. 2mm is adequate. Each transition profile length is 2900mm in length and is easily trimmed with a fine toothed saw blade or sharp craft knife, take care.



Note: Leave 50mm clearance around your panel face to avoid your protective film from getting trapped in transition profiles and vertical joiners.



2-Part Joiners

Joiner profiles are used to create a watertight seal between the cladding sheets vertically from the ceiling to the floor. When distributing your joiners across your wall space make allowance butting up your sheets either side of the joiners allowing for expansion. 2mm is adequate. Each transition profile length is 2900mm in length and is easily trimmed with a fine toothed saw blade or sharp craft knife, take care.

Hygienic Wall Cladding Cleaning Guide

Initial Cleaning Preparation

Once all sheets and profiles are installed, allow sufficient time for the adhesives/sealants to fully cure prior to cleaning. Begin by removing the protective film from sheets and profiles and clean all surfaces with an anti-static solution or anti-static cleaning wipes. This is required as the sheets may have static build up, therefore any dust in the atmosphere will adhere to the surface of the sheets.

Regular Cleaning

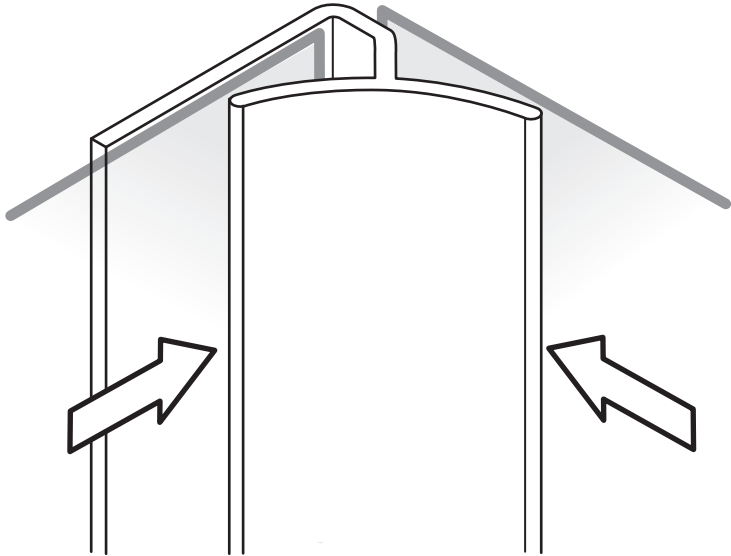
When cleaning the sheets, we recommend using a soft cloth with a mild soap/detergent. The temperature of the water or cleaning solution should not exceed 60°C. To reduce the build up of static, we recommend cleaning the sheets with an anti-static solution or anti-static cleaning wipes.

For stubborn stains, we recommend using an alkaline cleaner in combination with a soft cloth. Pressure cleaning with hot water may be used. However, to prevent damage, ensure that pressure nozzle is a minimum of 2 feet (600mm) away from the sheets surface.

Please be aware some cleaning products containing abrasives or solvents may adversely affect the sheets. A regular cleaning programme is recommended and may be developed to suit the usage and traffic of the area. For general use in hygienic environments, we recommend thoroughly cleaning the sheets at least once per week.

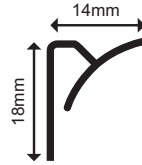
All the information in this technical and installation advice guide is provided for guidance only and is given in good faith, but without warranty or guarantee of any kind, whether implied or expressed. It must be understood that The Plastic People have no control over how the information in this document is perceived and interpreted and therefore cannot be held responsible for any resulting fabrication or product failure, howsoever caused. Statutory regulations regarding health and safety of operative's personnel should be strictly adhered to. The Plastic People cannot be held responsible for any failure to comply with them. This statement does not affect your statutory rights. The Plastic People policy is to continually improve products; therefore methods, materials and changes of specification may be made from time to time without prior notice. This guide is given in good faith and changes may be made without prior notice.

Corner Profiles (Internal)



Note: Leave 50mm clearance around your panel face to avoid your protective film from getting trapped in transition profiles and vertical joiners.

Internal Corner (Small)

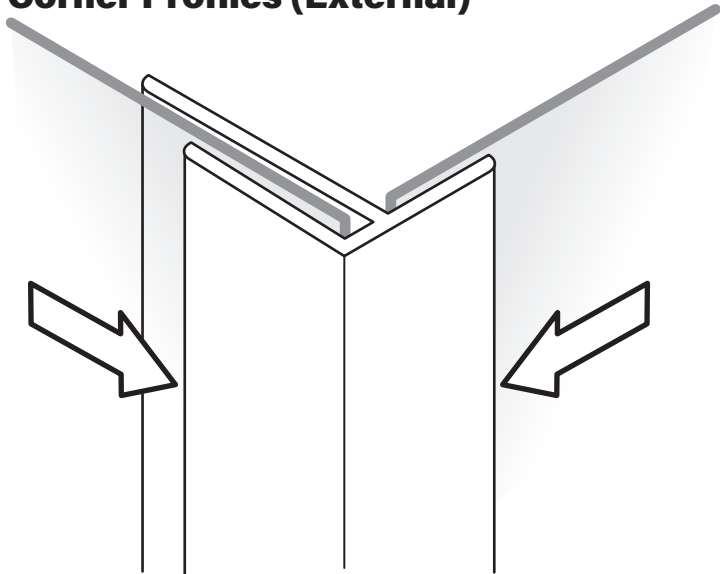


Don't forget to leave a 2mm gap for expansion when butting panels up to joiners.

Internal

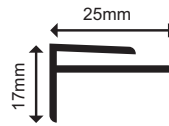
Corner profiles really add a professional look to a project and create a watertight seal between your cladding sheets. When adding your corner profiles make allowances butting up your sheets allowing for expansion. For tips on tackling internal and external corners in your project look at this section on installation. Each corner profile length is 2900mm in length and is easily trimmed with a fine toothed saw blade or sharp craft knife, take care.

Corner Profiles (External)



Note: Leave 50mm clearance around your panel face to avoid your protective film from getting trapped in transition profiles and vertical joiners.

External Corner



Don't forget to leave a 2-3mm gap for expansion when butting panels up to joiners.

External

Corner profiles really add a professional look to a project and create a watertight seal between your cladding sheets. When adding your corner profiles make allowances butting up your sheets allowing for expansion. For tips on tackling internal and external corners in your project look at this section on installation. Each corner profile length is 2900mm in length and is easily trimmed with a fine toothed saw blade or sharp craft knife, take care.

Free Cutting Service

The Plastic People are offering a Free Cutting Service for a limited time so choose your wall cladding and we'll cut it to your dimensions and ship it direct to your door. (Cut-outs for pipework etcetera will require a scale drawing and could incur additional charges).

This guide is designed to help you to measure and plan your project in the most efficient and cost-effective way. For more information visit our website or call our sales team.

Free Cladding Profiles

We have a colour coordinated range of cladding profiles and for a limited time are offering the Transition and Joiner Bases free with Capping and Transition Tops. See this guide for details or alternatively scan the QR code and be taken to our web pages.

Visit Our Website

Scan this QR code and visit our website with all our available cladding products including cladding sheets, profiles and adhesives and the best help and advice for your project.



SCAN ME



Copyright 2024 Barkstons Plastics. All rights reserved.

Our mailing address is:

Barkston Plastics Ltd

221 Pontefract Lane Cross Green Leeds LS9 0DX



Follow the Plastic People:

Follow us on social media for latest news, products and services

Did you know at The Plastic People we also make and manufacture the following:-

- Wood Sheets Products
- Secondary Glazing
- Kitchen Splashbacks
- Bathroom Splashbacks
- Shower Wall Panels

- PVC 3D Wall Panels
- Furniture Protectors
- Pictures & Framing
- Plastic Mirrors
- Garden Mirrors

- Child Safe Mirrors
- Horse Mirrors
- Greenhouse Glass & Glazing
- Shed Windows
- Cold Frame Glazing

- Plastic Sheds
- Patio Covers
- Protective Screens

www.theplasticpeople.co.uk